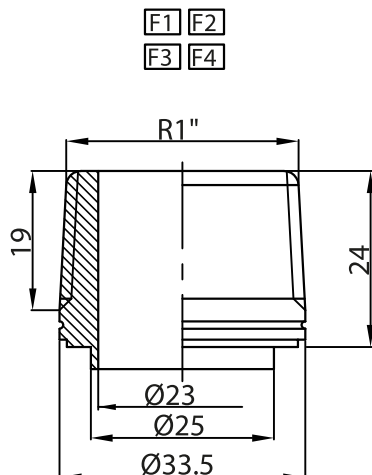


R1" Connection(L015)



SP - S27

SP - S27	
Design pressuer(MPa)	3.0
Testing pressuer(MPa)	4.5
Design Temperature( °C)	-196 ~ +200 °C
Volume(L)	F1F2side:1.0 ;F3F4side:0.95
Heat transfer area( m <sup>2</sup> )	1.06
Weight(kg)	4.39
Customer Part No.	
Label Code	FH-Label-08