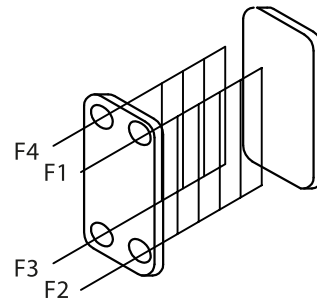
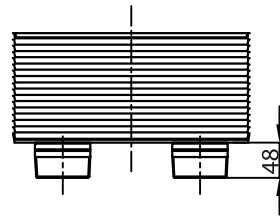
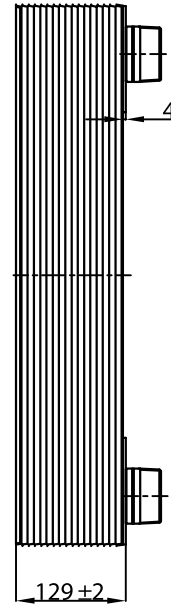
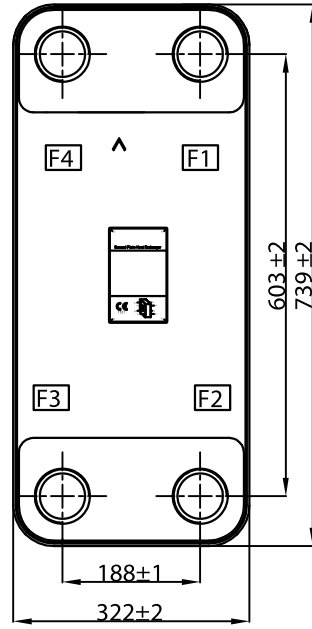
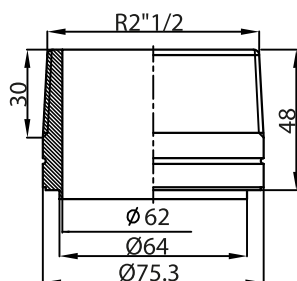


SP - S200



R2"1/2Connection(L027C)



SP - S200	
Design pressuer(MPa)	3.0
Testing pressuer(MPa)	4.5
Design Temperature(°C)	-196 ~ +200 °C
Volume(L)	F1F2side:8.0;F3F4side:7.60
Heat transfer area(m²)	7.98
Weight(kg)	45.9
Customer Part No.	
Label Code	FH-Label-08