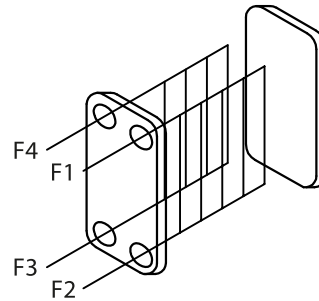
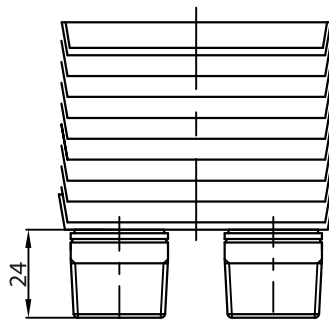
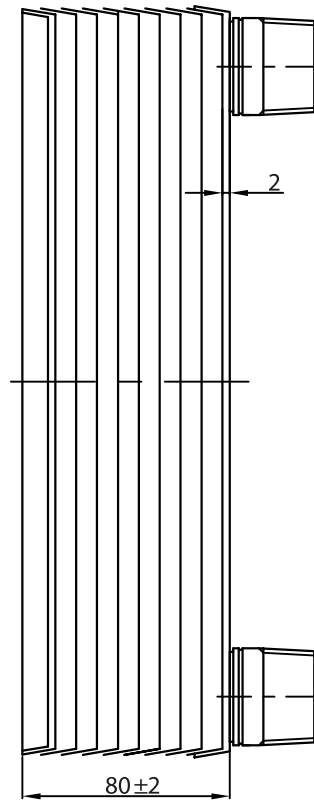
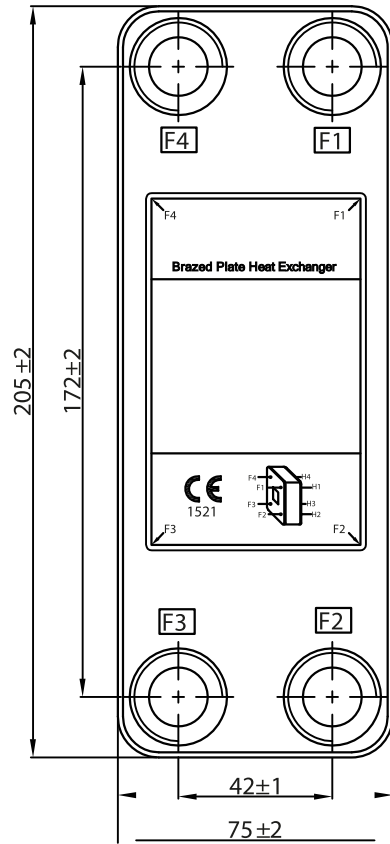


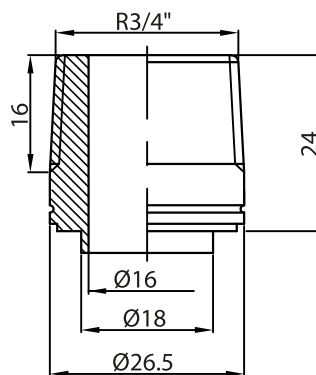
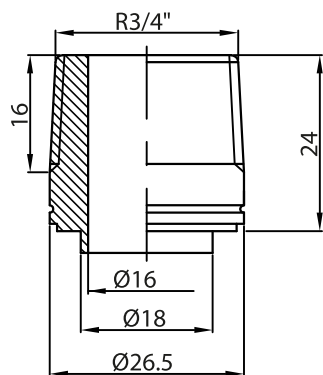
SP - S20



R3/4"B Connection(L012) R3/4"B Connection(L012C)

F1 F2

F3 F4



SP - S20	
Design pressuer(MPa)	3.0
Testing pressuer(MPa)	4.5
Design Temperature(°C)	-196 ~ +200 °C
Volume(L)	F1F2side:0.30 ;F3F4side:0.28
Heat transfer area(m ²)	0.39
Weight(kg)	2.0
Customer Part No.	
Label Code	FH-Label-07